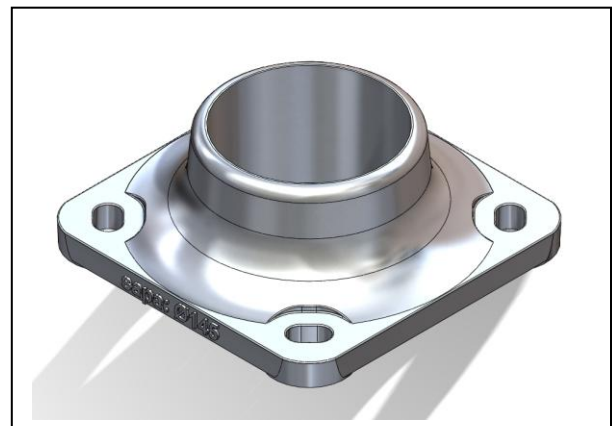
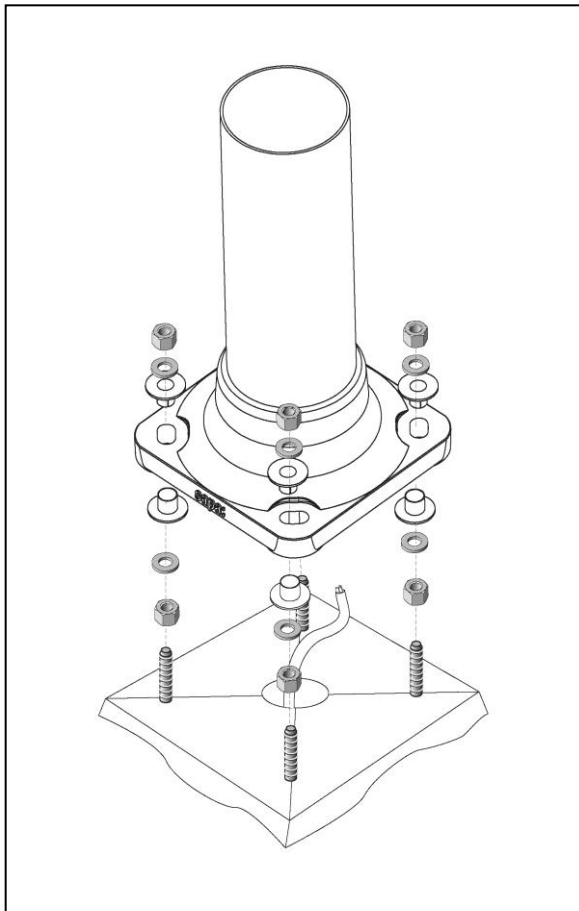


## Semelle moulée

Semelle moulée en aluminium  
Disponible pour mâts de diamètre 114 – 145 mm

### Caractéristiques techniques:

- alliage d'aluminium, caractéristiques du matériel: 231A(GK-ALSi12(Cu))
- hauteur 102 mm,
- Pour les mâts de diamètre en base 114, 120, 135 et 145 mm :  
entraxes 200 x 200 mm  
Tiges d'ancrage en sus (maxi M18)
- Perçages équipés de rondelles isolantes
- Option :  
Protection anti-corrosion en sus

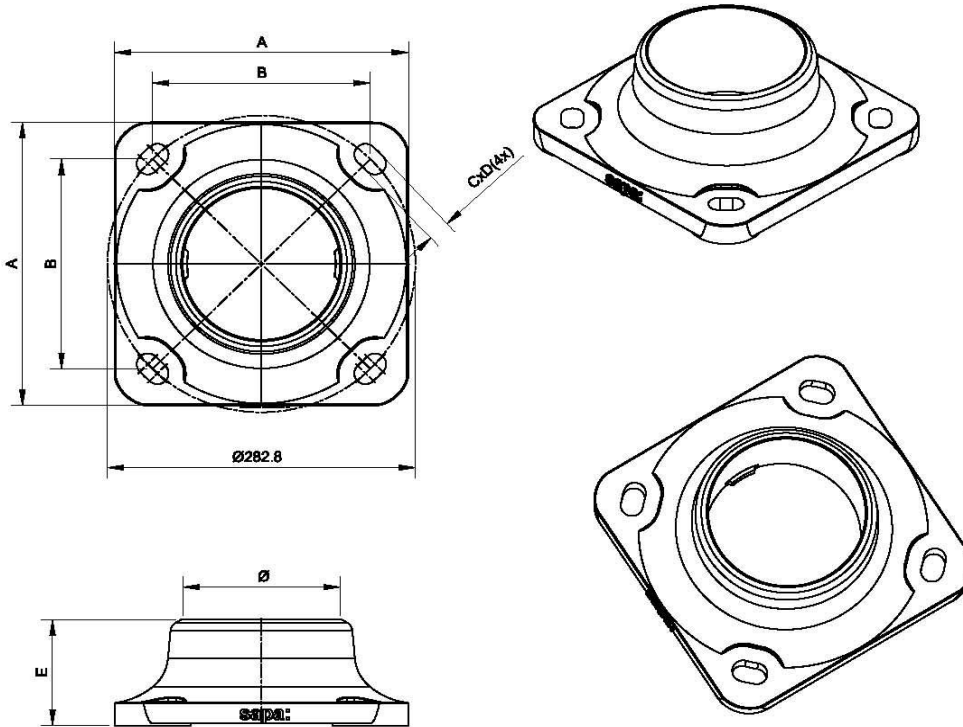


**Sapa Profiles NL B.V.**

**Sapa Pole Products**

Postal address P.O. Box 75, 5150 AB Drunen Visit address Alcoalaan 1, 5151 RW Drunen

Phone +31 416 386200 Fax +31 416 386230 Internet [www.sapagroup.com](http://www.sapagroup.com)



	A	B	CXD	E	ARTICLENO.	J
114	270	200	28.2X22	102	53.001.114.01	M12
120	270	200	28.2X22	102	53.001.120.01	
135	270	200	28.2X22	102	53.001.135.01	M16/M18
145	270	200	28.2X22	102	53.001.145.01	

ITEM NO.	QUANTITY	DESCRIPTION	MATERIAL	DIMENSIONS	REMARKS
<span style="font-size: 24px; font-weight: bold; margin-left: 10px;">Sapa Pole Products</span>					
<b>Sapa Pole Products</b> Alcoalaan 1 - 5151 RW Drunen Postbus 75 - 5150 AB Drunen Tel/Fax: +31(0)416-386100/230					
THIS DRAWING REMAINS PROPERTY OF SAPA POLE PRODUCTS IN DRUNEN AND MAY WITHOUT PERMISSION OF THE OWNER NOT BE MULTIPLIED, BE USED FOR THIRD PARTIES OR BE GIVEN TO THIRD PARTIES FOR REFUSAL.		AM PROJ. 	SURFACE ROUGHNESS CENTER LINE AVERAGE RA (CLA) IN µm BY ISO1302 	DIMENSIONS TOLERANCES BY: EN40 <input type="checkbox"/> UNLESS OTHERWISE STATED	DRAWN BY <b>MRe</b> CHECKED BY (SIGNATURE) SCALE <b>1:5</b>
DATE: 29-05-11 DATE: 29-05-11	THIS RESPONSE A COORDINATOR MODE DESCRIPTION	FORMAT <b>A4</b> REMARK - TITLE <b>1Piece Baseplate Ø114-Ø145</b>	DRAWINGNUMBER <b>D53.001.000.01</b> MODE <b>B</b>	DATE <b>30-05-11</b>	