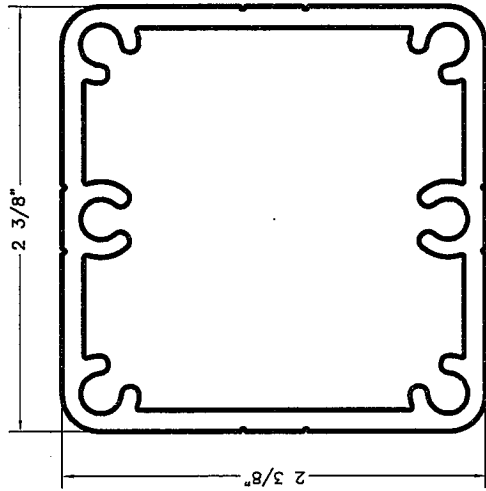
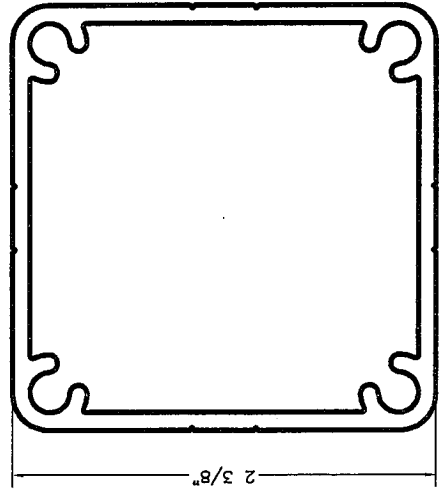


# sapa:

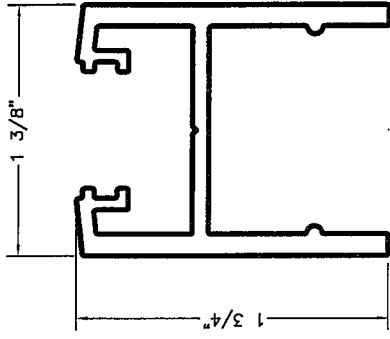
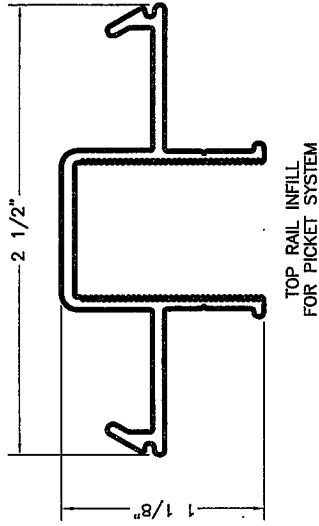
## SERIES 200 PROFILES



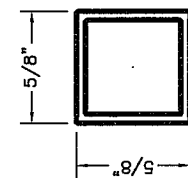
LIGHT COMMERCIAL POST  
FOR 42" HIGH RAILING



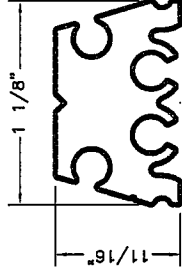
RESIDENTIAL POST  
FOR 36" HIGH RAILING



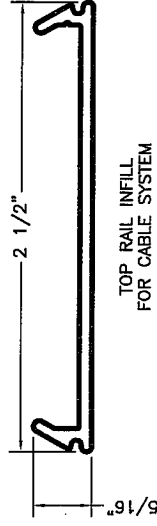
SERIES 200 BOTTOM RAIL



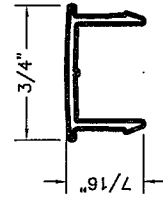
PICKET  
(IF APPLICABLE)



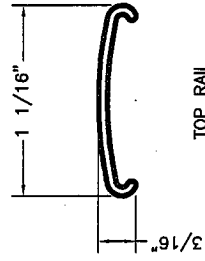
BOTTOM RAIL  
CONNECTION BRACKET



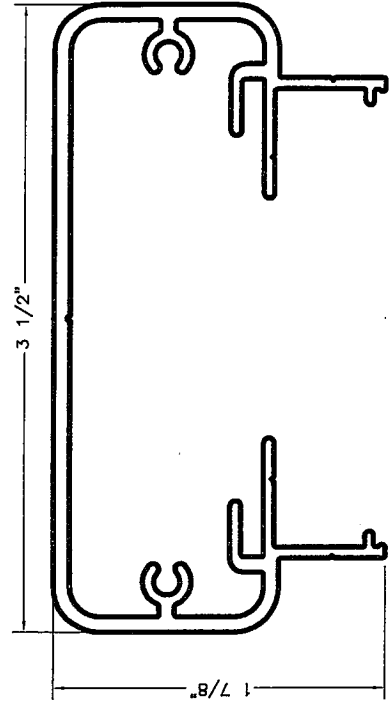
TOP RAIL INFILL  
FOR CABLE SYSTEM



BOTTOM RAIL  
PICKET SPACER

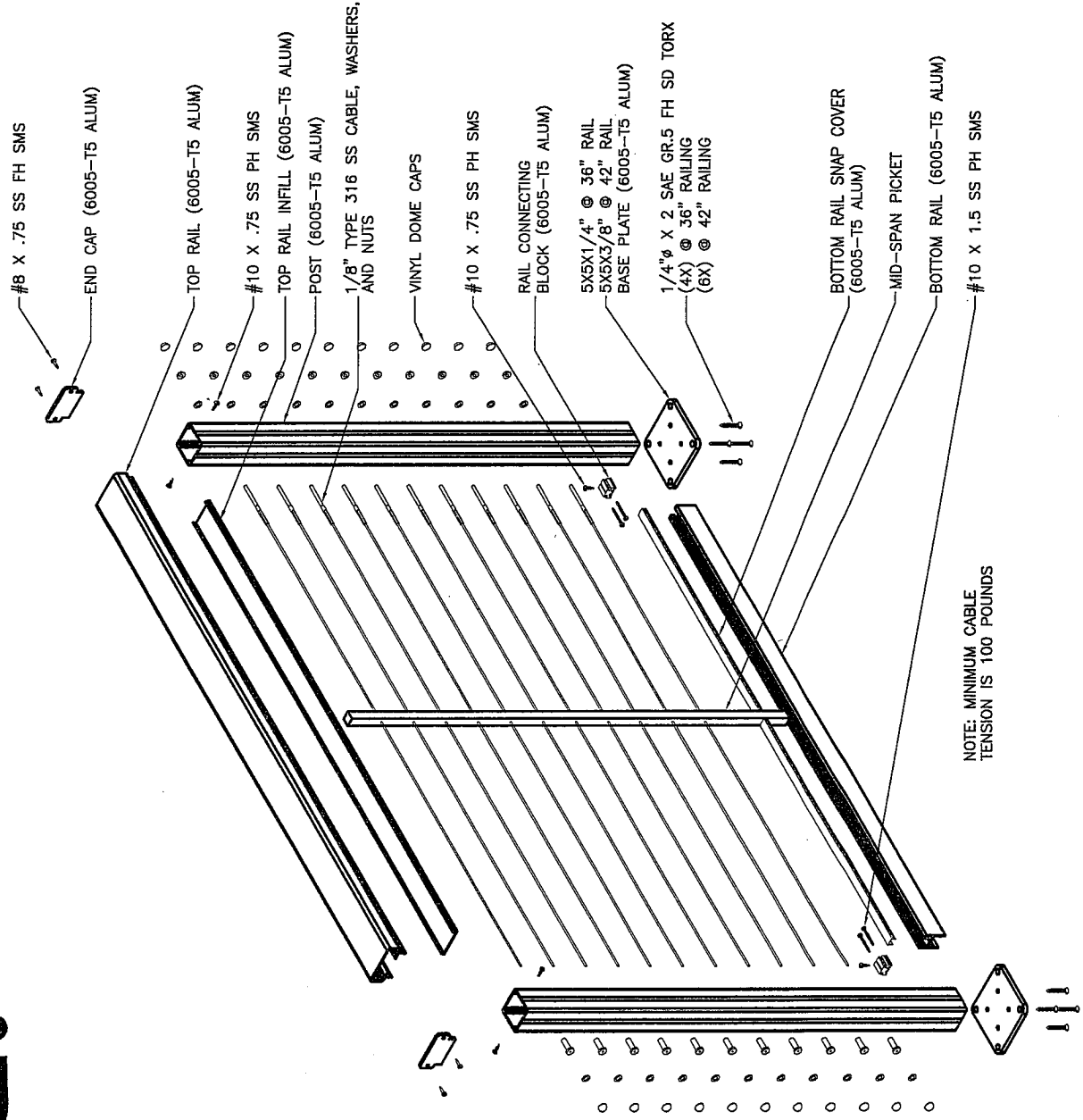


TOP RAIL  
PICKET SPACER



SERIES 200 TOP RAIL

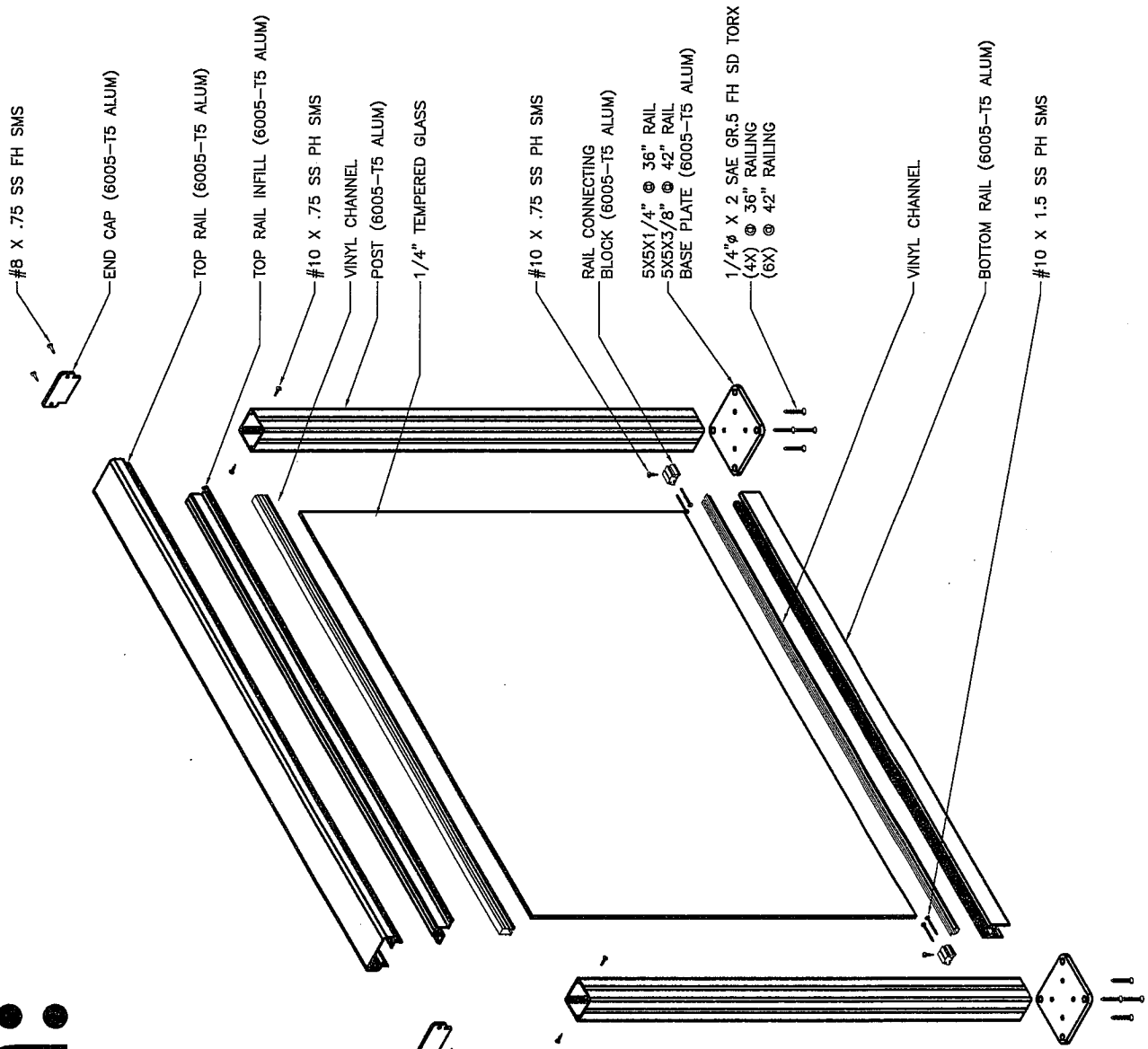
# sapa:



NOTE: MINIMUM CABLE TENSION IS 100 POUNDS

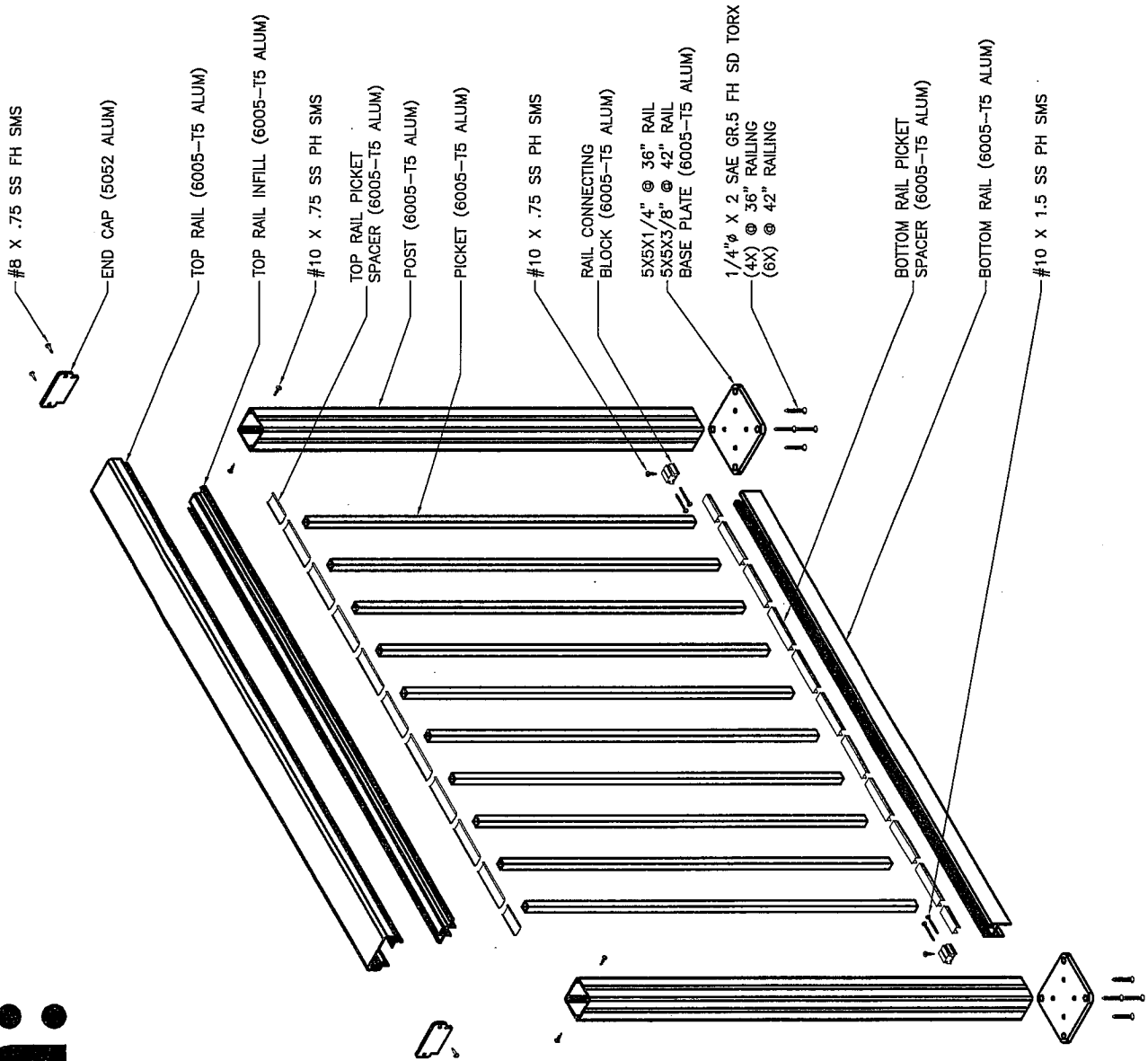
## SERIES 200 CABLE RAILING

# sapa:



## SERIES 200 GLASS RAILING

# sapa:



## SERIES 200 PICKET RAILING