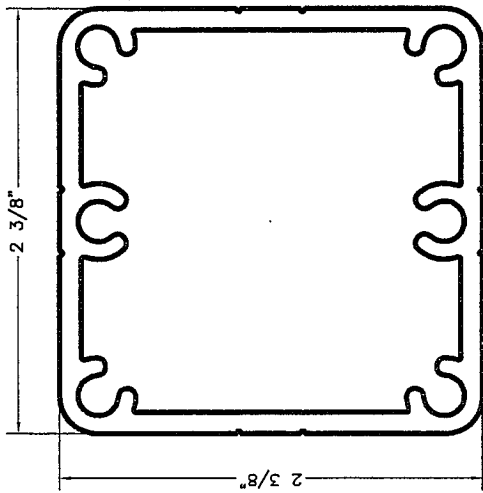
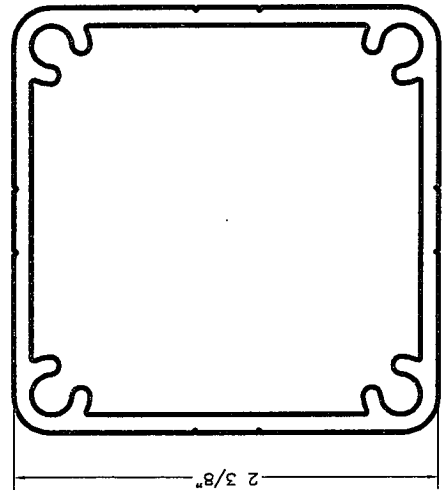


sapa:

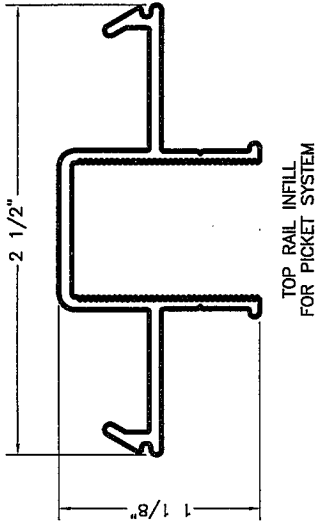
SERIES 999 PROFILES



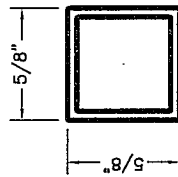
LIGHT COMMERCIAL POST
FOR 42" HIGH RAILING



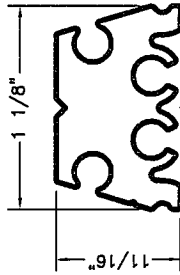
RESIDENTIAL POST
FOR 36" HIGH RAILING



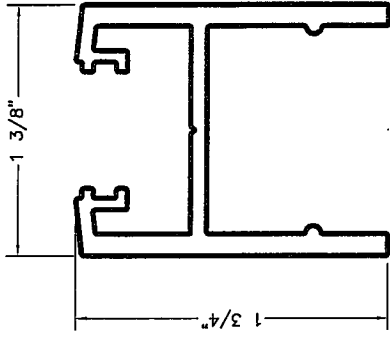
TOP RAIL INFILL
FOR PICKET SYSTEM



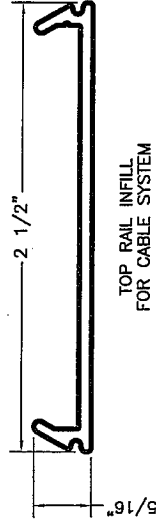
PICKET
(IF APPLICABLE)



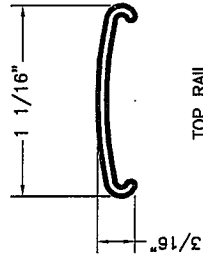
BOTTOM RAIL
CONNECTION BRACKET



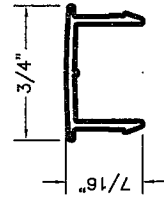
SERIES 200 BOTTOM RAIL



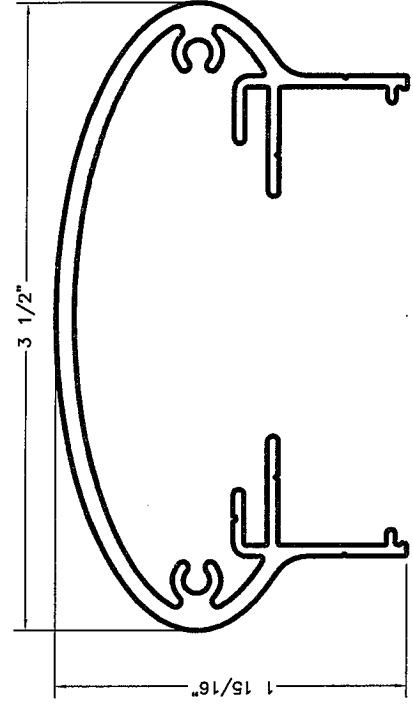
TOP RAIL INFILL
FOR CABLE SYSTEM



TOP RAIL
PICKET SPACER

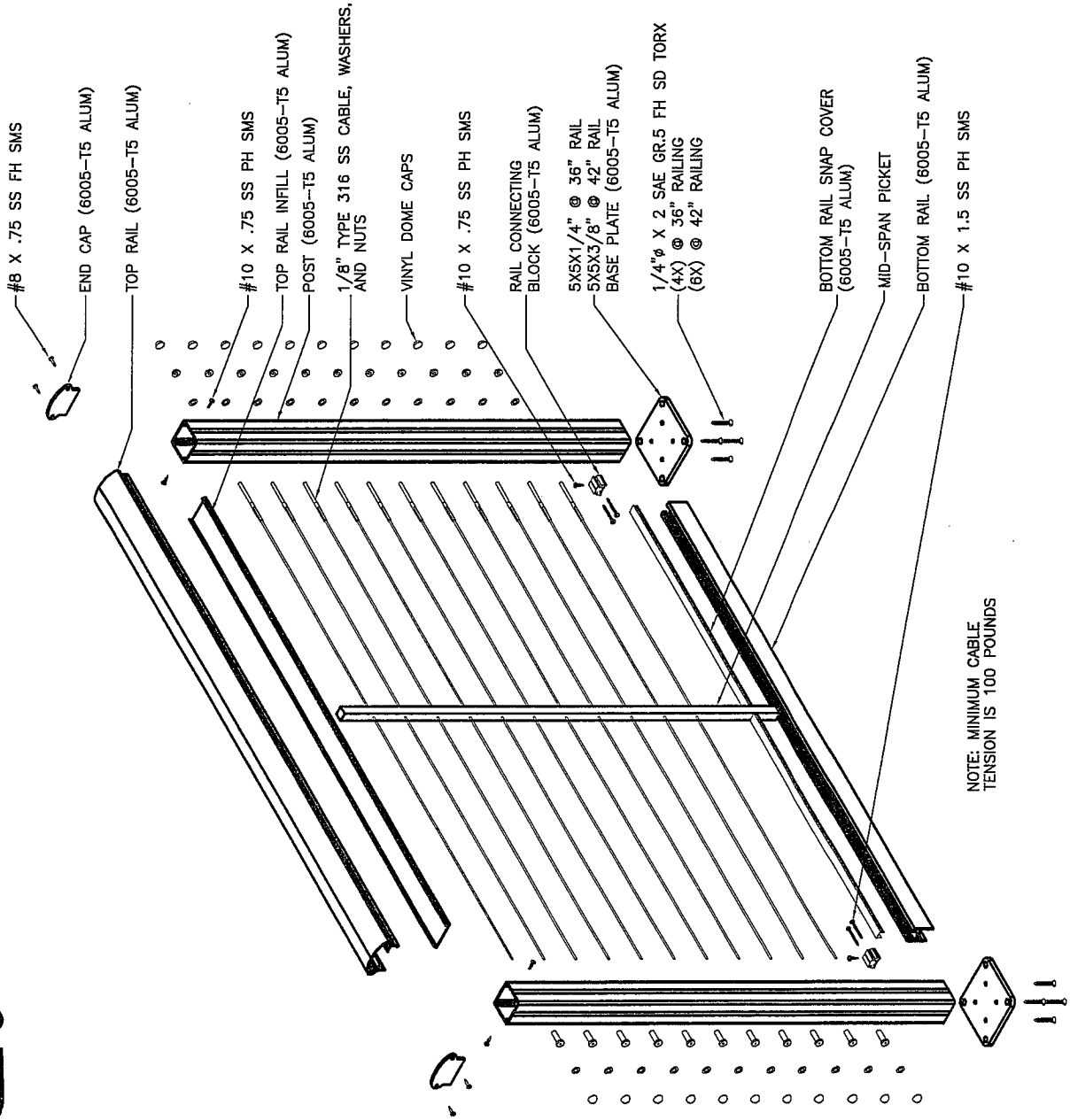


BOTTOM RAIL
PICKET SPACER



SERIES 999 TOP RAIL

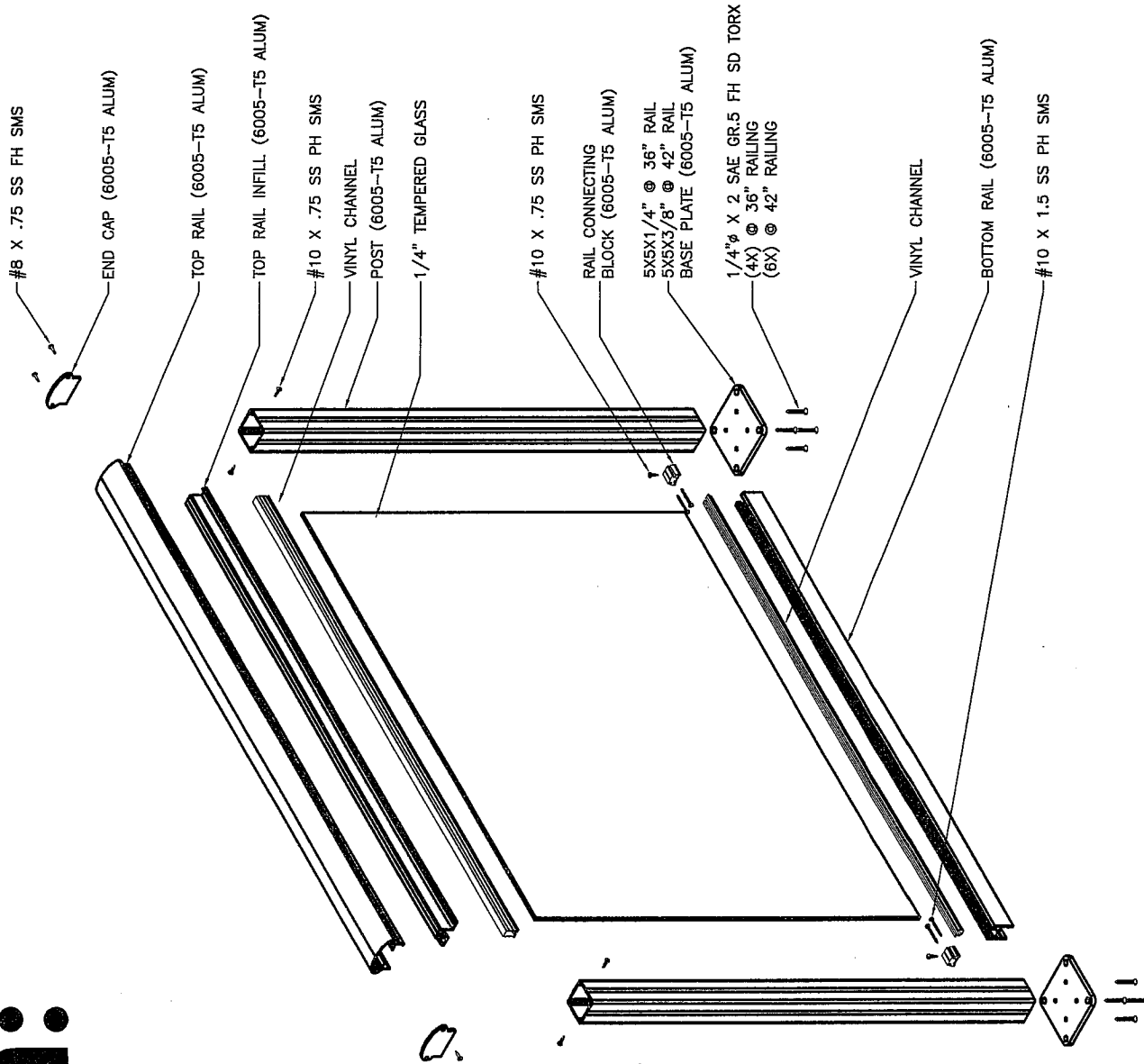
sapa:



NOTE: MINIMUM CABLE TENSION IS 100 POUNDS

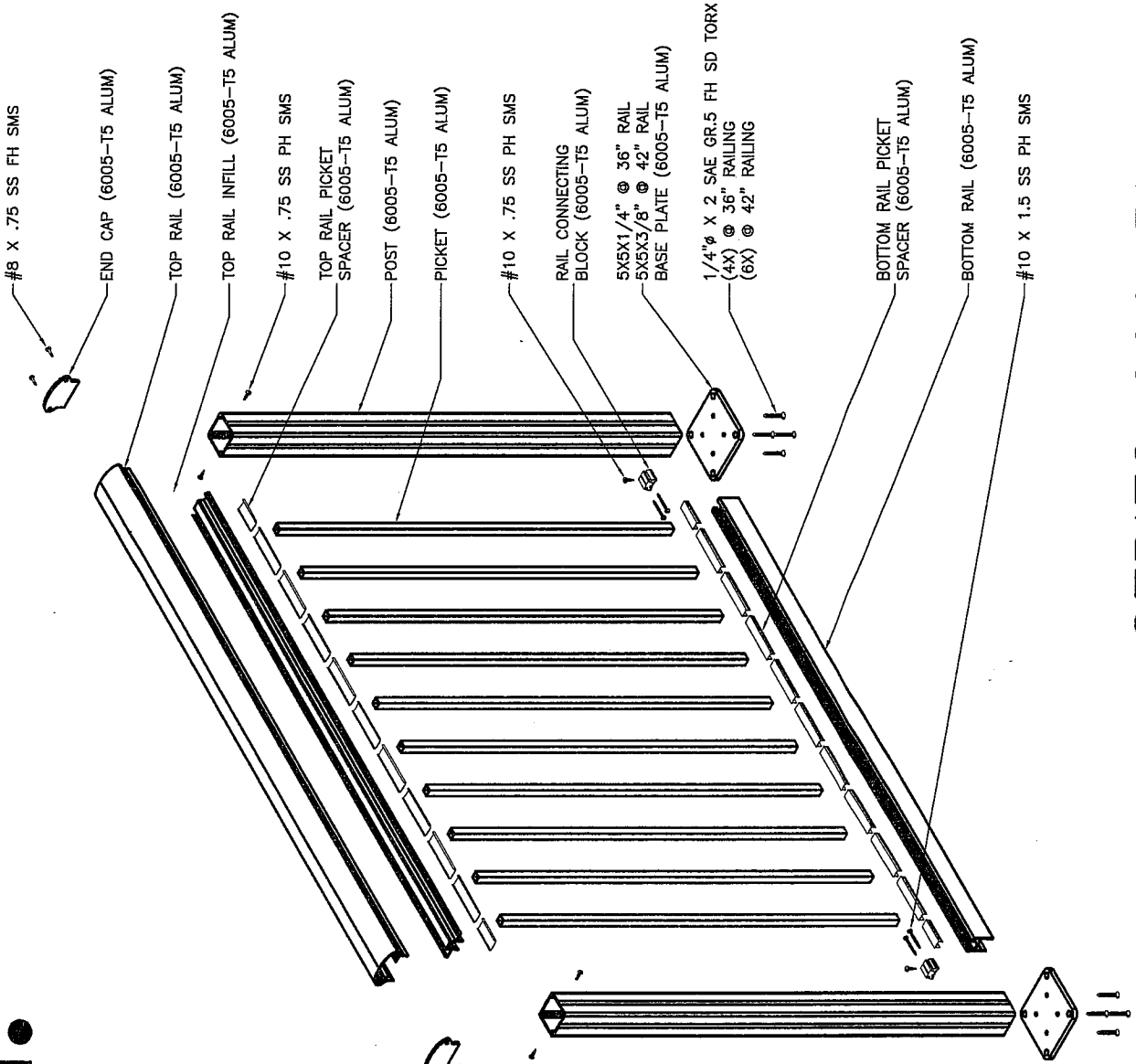
SERIES 999 CABLE RAILING

sapa:



SERIES 999 GLASS RAILING

sapa:



SERIES 999 PICKET RAILING