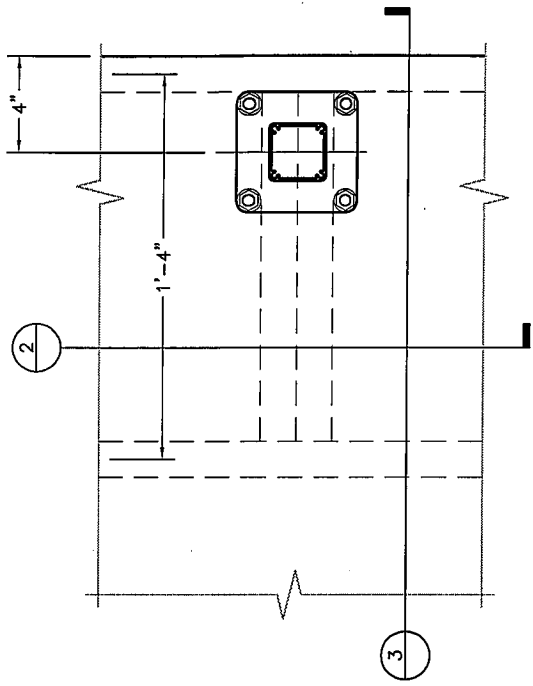
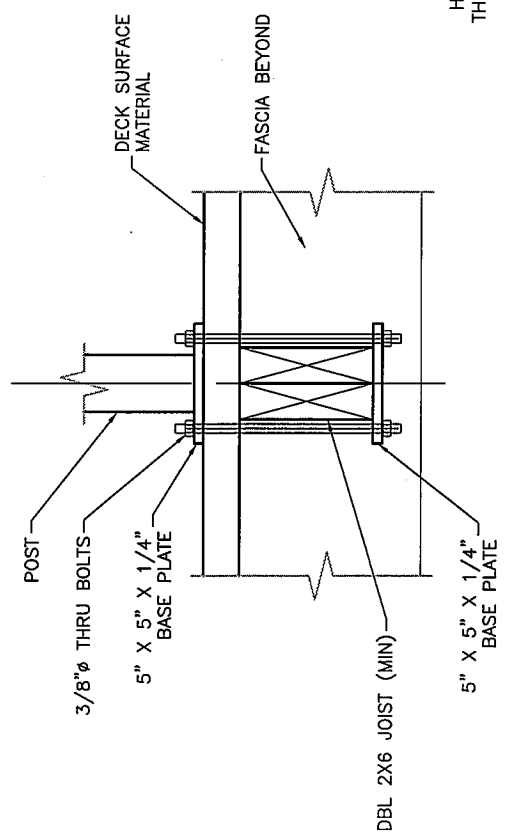


sapa:

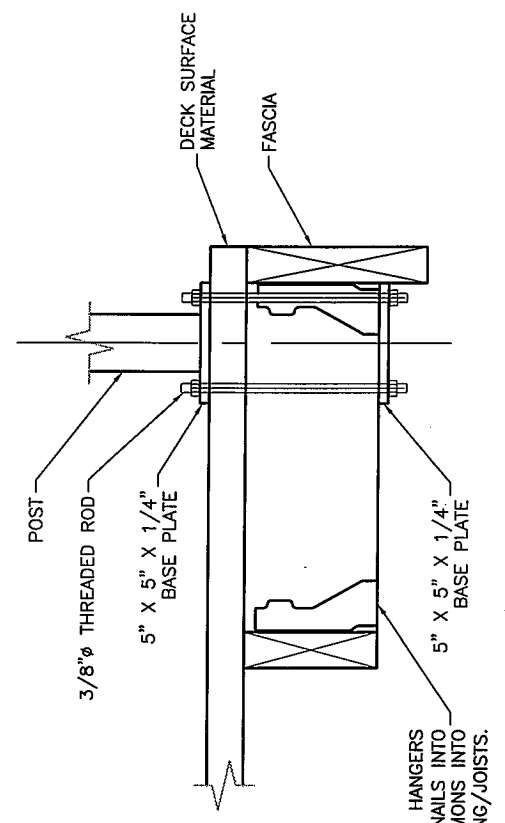
TOP MOUNT RAIL PARALLEL JOISTS



1 PLAN VIEW
1 1/2" = 1'-0"



2 SECTION
1 1/2" = 1'-0"

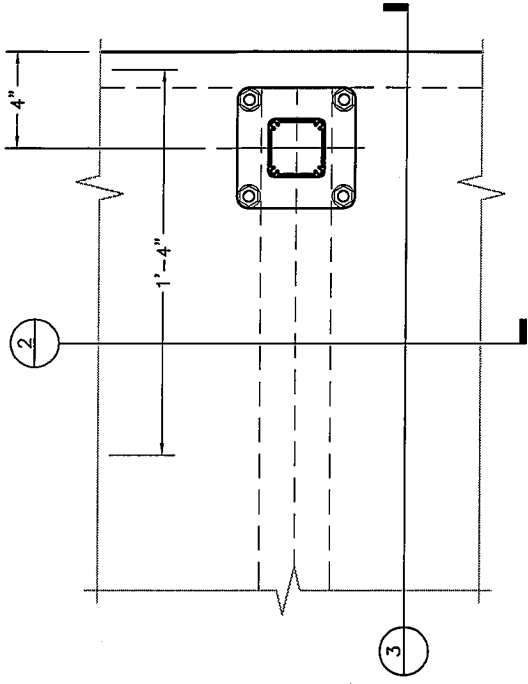


3 SECTION
1 1/2" = 1'-0"

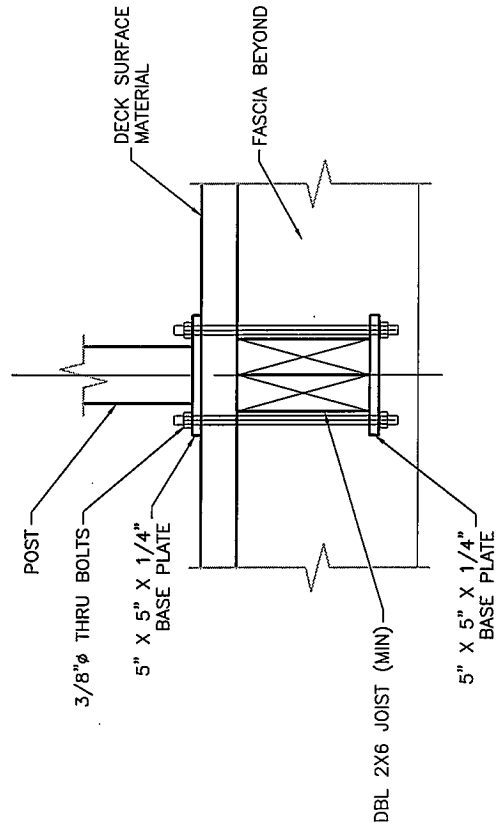
SIMPSON LUS26-2 HANGERS
W/ 10d X 1 1/2" NAILS INTO
HEADERS AND 10d COMMONS INTO
THE DOUBLE 2X6 BLOCKING/JOISTS.

sapa:

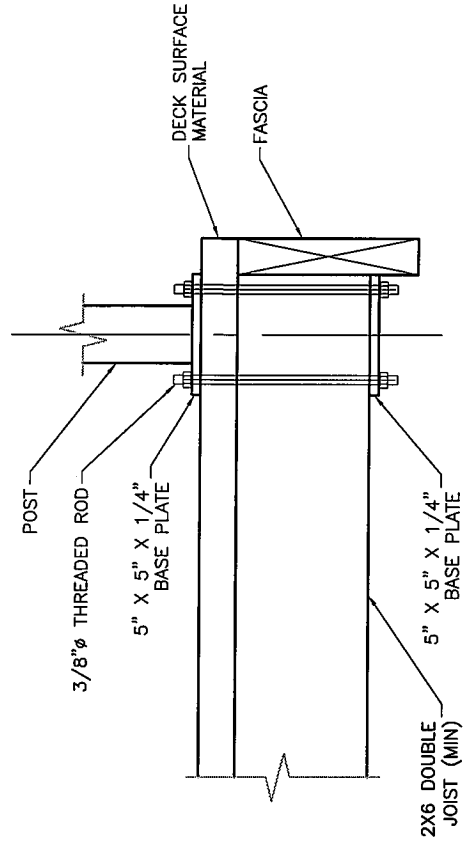
TOP MOUNT RAIL PERPENDICULAR JOISTS



1 PLAN VIEW
1 1/2"=1'-0"



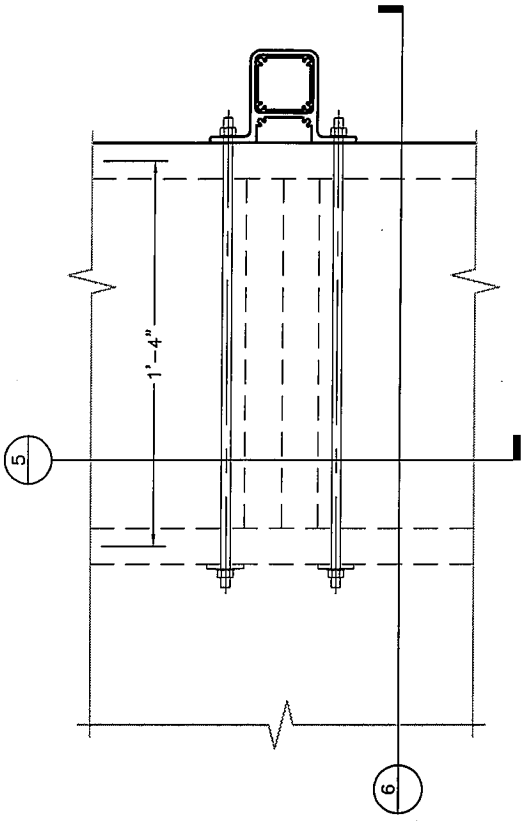
2 SECTION
1 1/2"=1'-0"



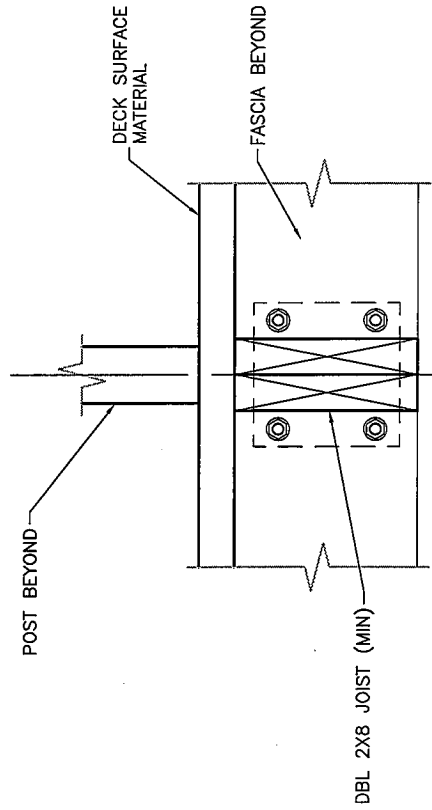
3 SECTION
1 1/2"=1'-0"

sapa:

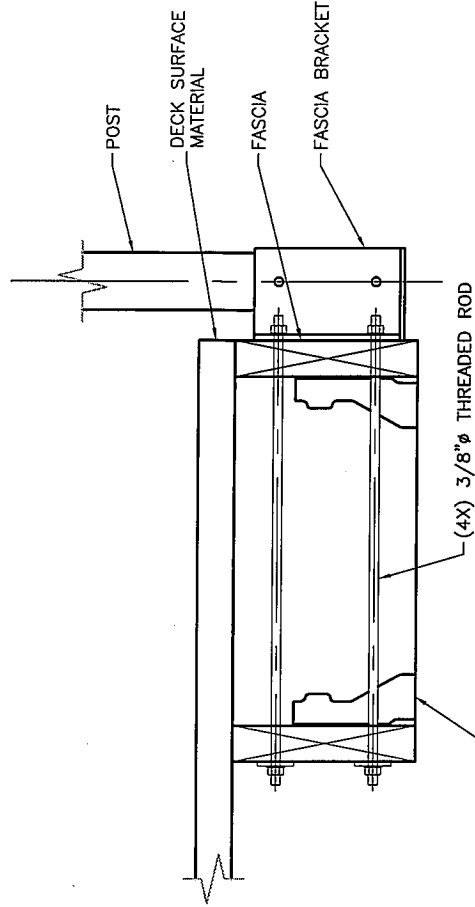
FACE MOUNT RAIL PARALLEL JOISTS



4 PLAN VIEW
1 1/2"=1'-0"



5 SECTION
1 1/2"=1'-0"

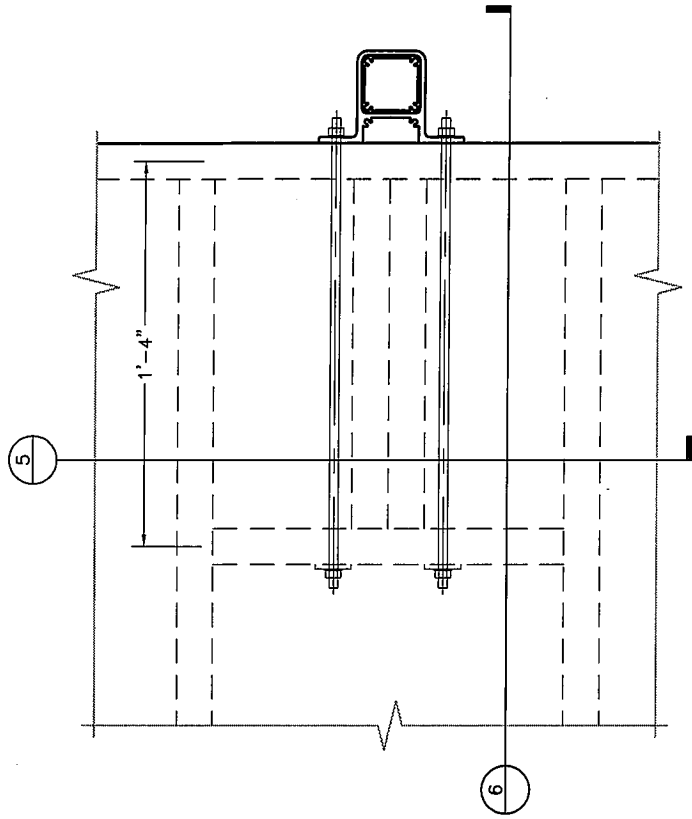


SIMPSON LUS26-2 HANGERS
W/ 10d X 1 1/2" NAILS INTO
HEADERS AND 10d COMMONS INTO
THE DOUBLE 2X8 BLOCKING/JOISTS.

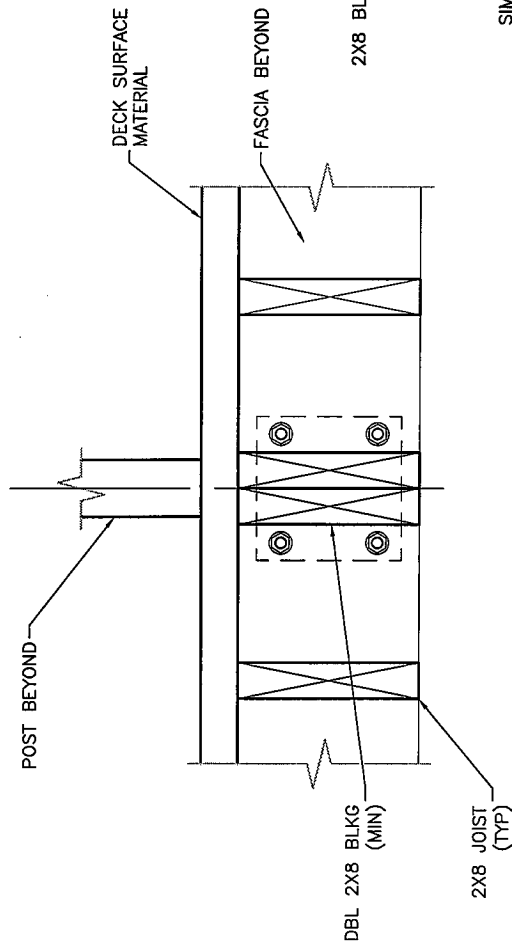
6 SECTION
1 1/2"=1'-0"

sapa:

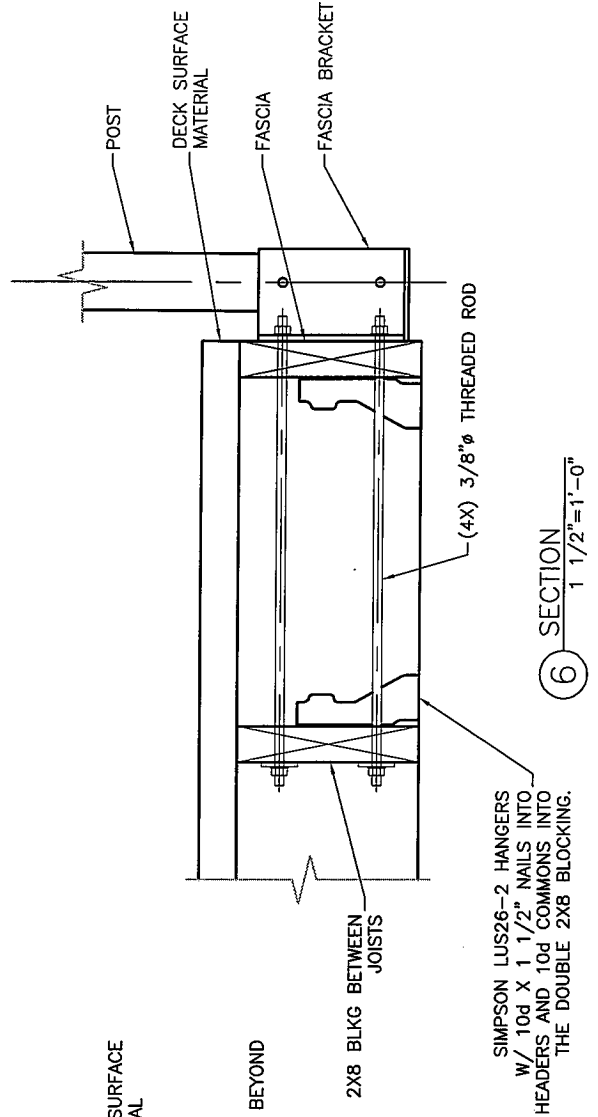
FACE MOUNT RAIL PERPENDICULAR JOISTS



4 PLAN VIEW
1 1/2"=1'-0"



5 SECTION
1 1/2"=1'-0"



6 SECTION
1 1/2"=1'-0"