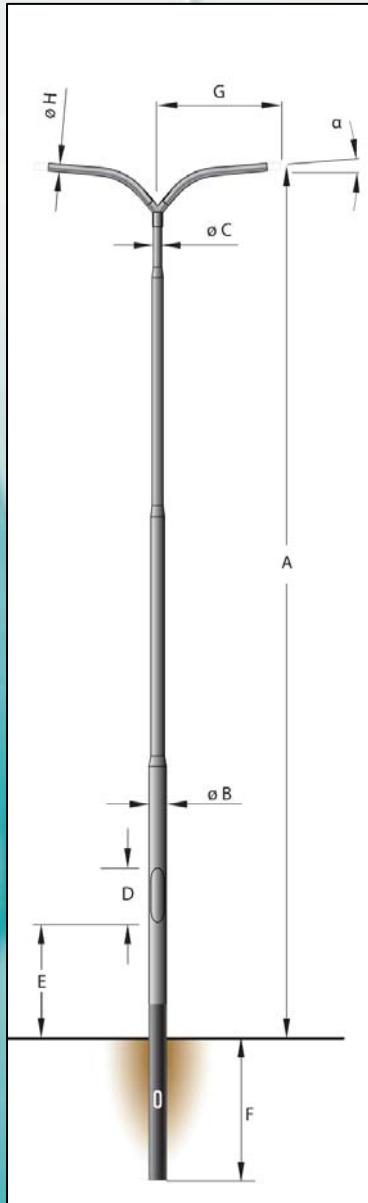


# Sapa Pole Products

sapa:

Most common cylindrical stepped columns with detachable double bracket



Column Height	Base diameter x wall thickness	Item no.	Column top	Door opening	Door height above ground level	Length of root section	Bracket length	± Column weight
(A) (m)	(B) (mm)		(C) (mm)	(D) (mm)	(E) (mm)	(F) (mm)	(G) (mm)	(Kg)
3	135 x 3.0	0803013501	76	500 x 85	600	600	300	15.5
10	200 x 3.3	0810020006	76	600 x 110	1000	1700	500	58.6
12	226 x 4.5	0812022609	76	600 x 115	1000	2000	500	104.8

