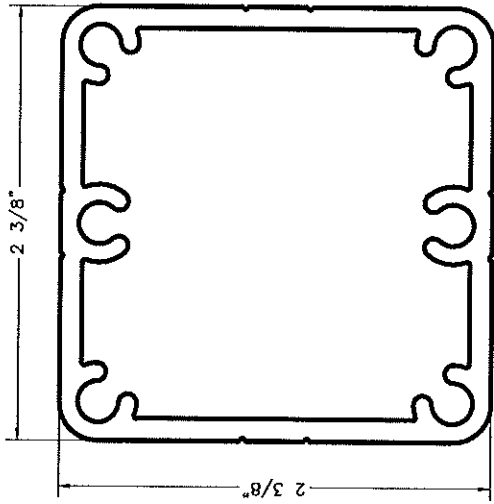
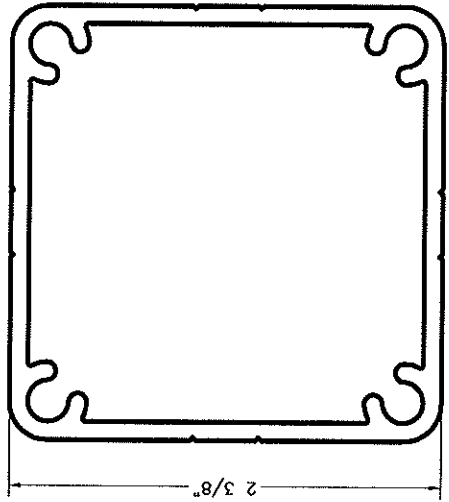


# sapa:

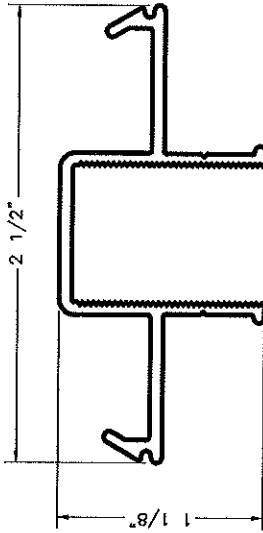
## SERIES 400 PROFILES



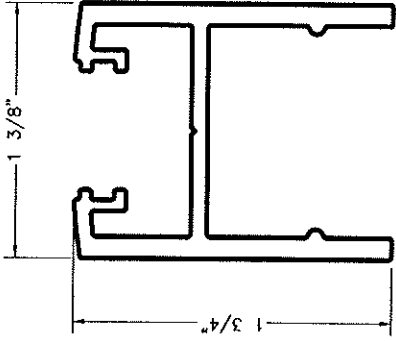
LIGHT COMMERCIAL POST  
FOR 42" HIGH RAILING



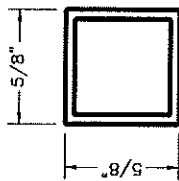
RESIDENTIAL POST  
FOR 36" HIGH RAILING



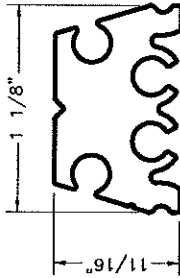
TOP RAIL INFILL  
FOR PICKET SYSTEM



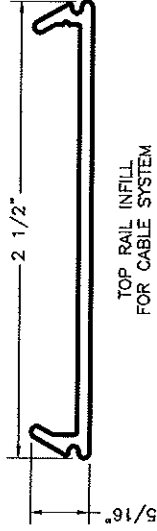
SERIES 200 BOTTOM RAIL



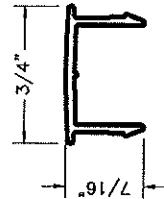
PICKET  
(IF APPLICABLE)



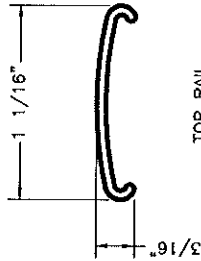
BOTTOM RAIL  
CONNECTION BRACKET



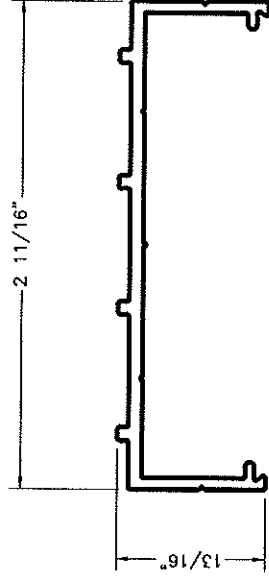
TOP RAIL INFILL  
FOR CABLE SYSTEM



BOTTOM RAIL  
PICKET SPACER

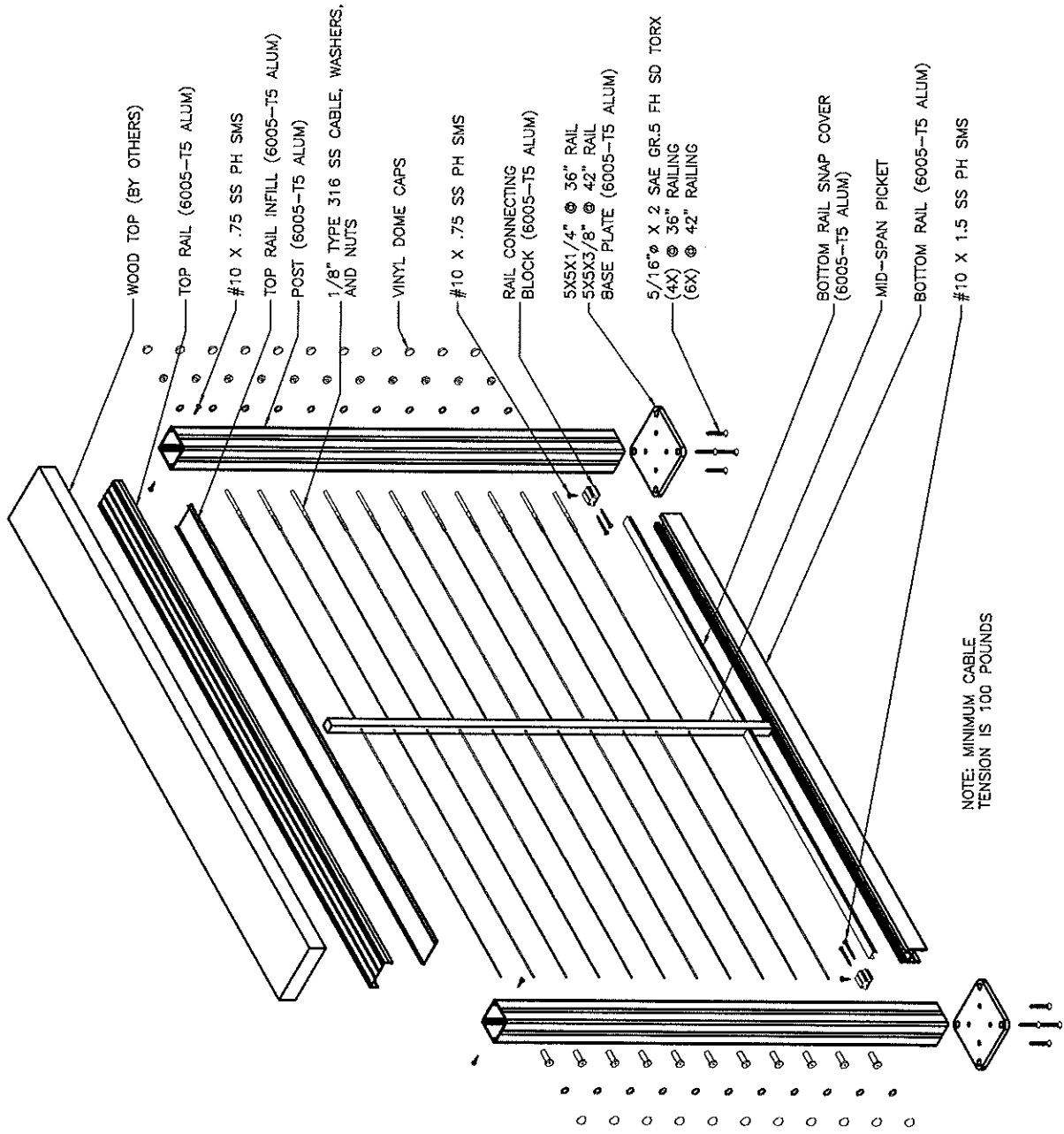


TOP RAIL  
PICKET SPACER



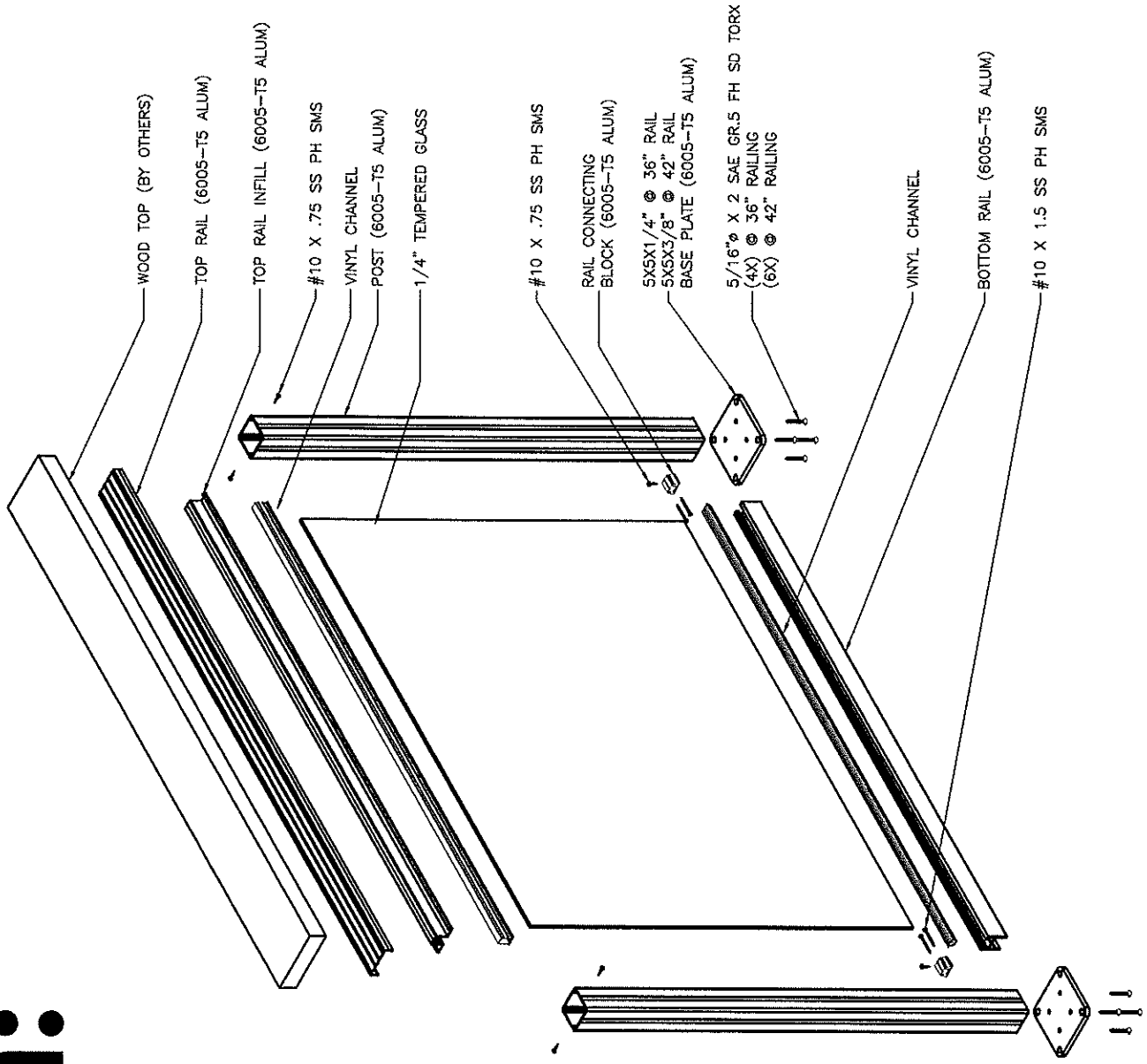
SERIES 400 TOP RAIL

# sapa:



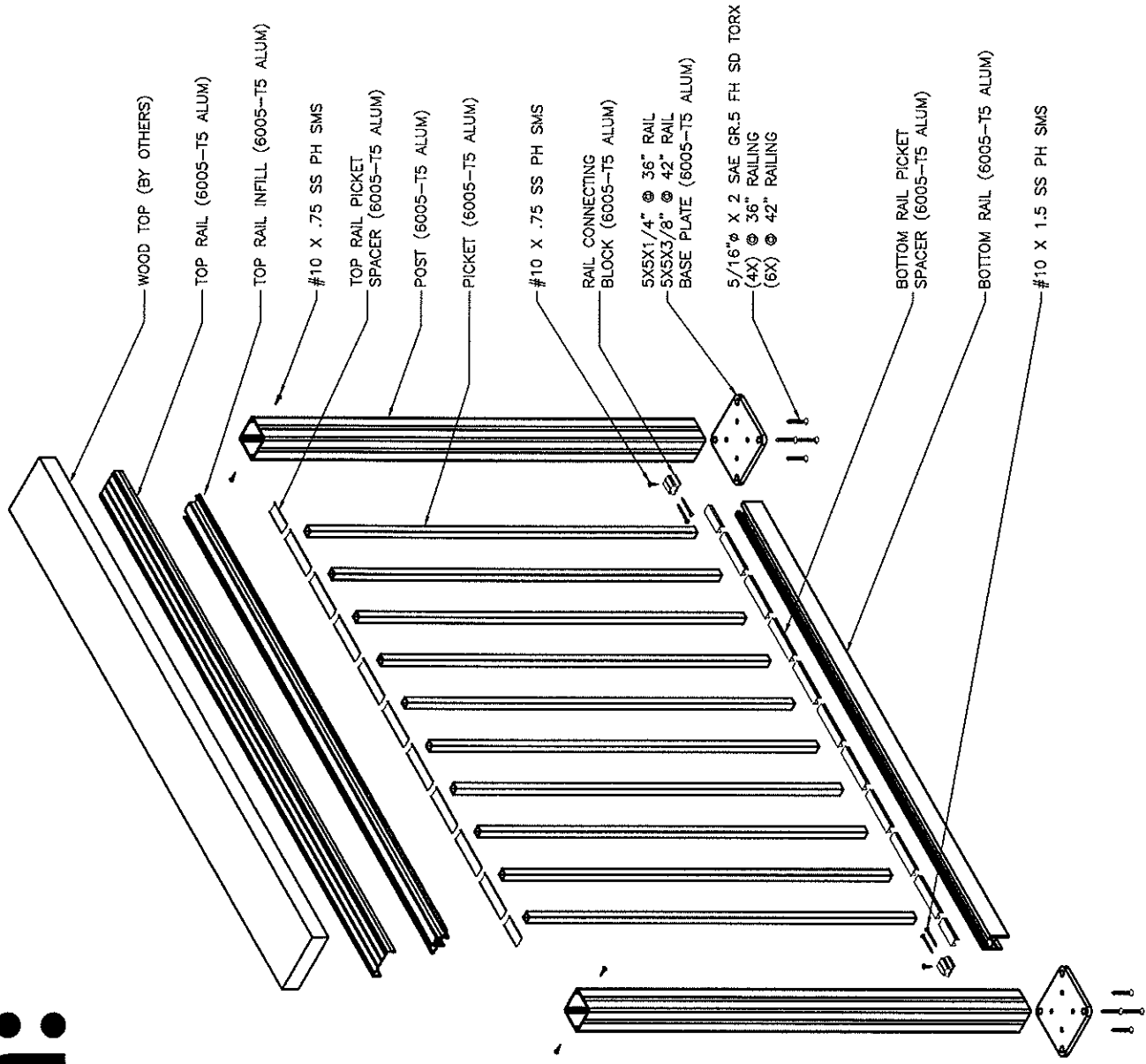
## SERIES 400 CABLE RAILING

# sapa:



## SERIES 400 GLASS RAILING

# sapa:



## SERIES 400 PICKET RAILING