

sapa:

buildingsystem

ARCHITECTURAL ALUMINIUM SOLUTIONS

SapaTechnic V4

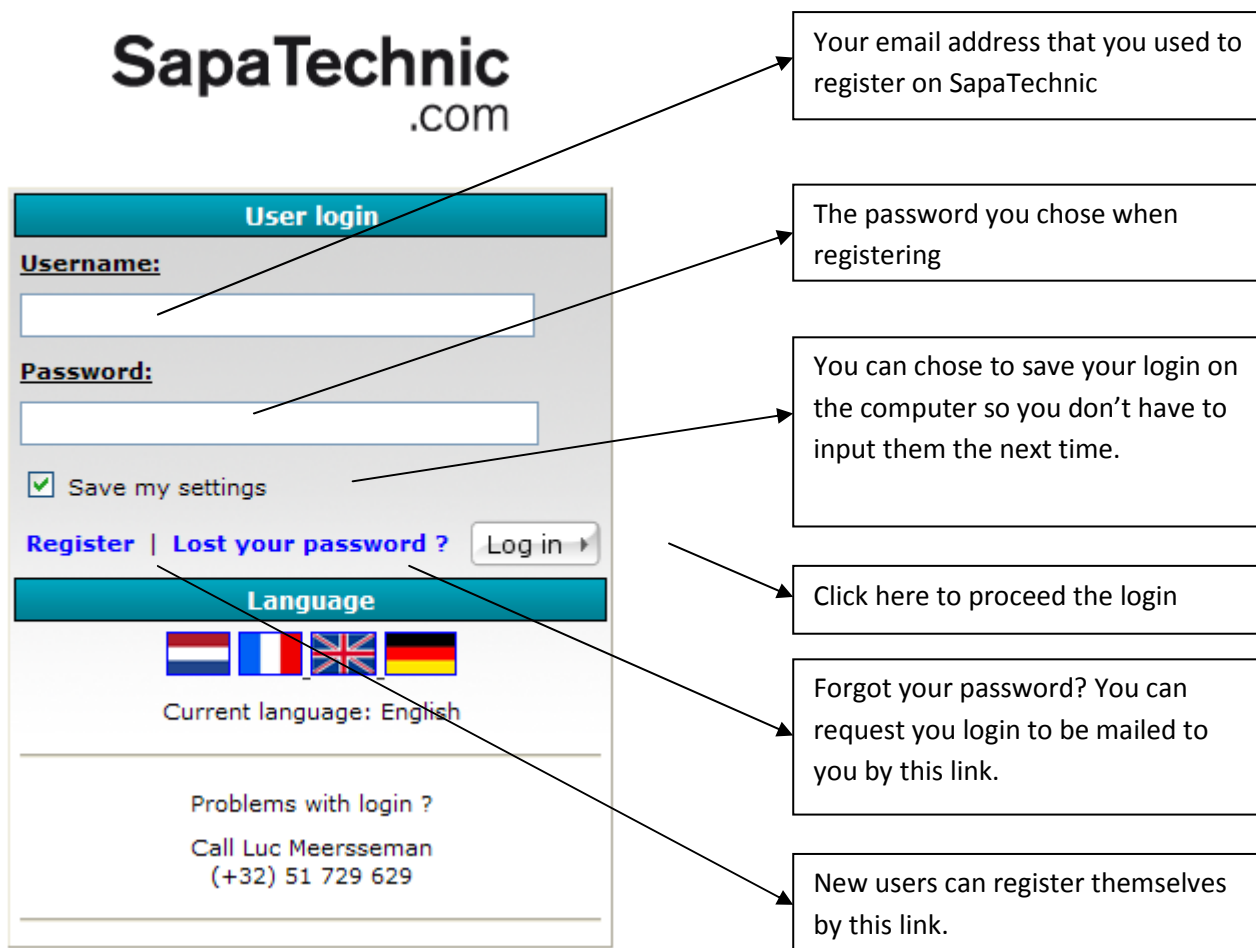
Manual UK

sapa:

buildingsystem

ARCHITECTURAL ALUMINIUM SOLUTIONS

1. The loginscreen



SapaTechnic.com

User login


Username: [input field]

Password: [input field]

Save my settings

[Register](#) | [Lost your password ?](#)

Language



Current language: English

Problems with login ?
Call Luc Meersseman
(+32) 51 729 629

Callouts:

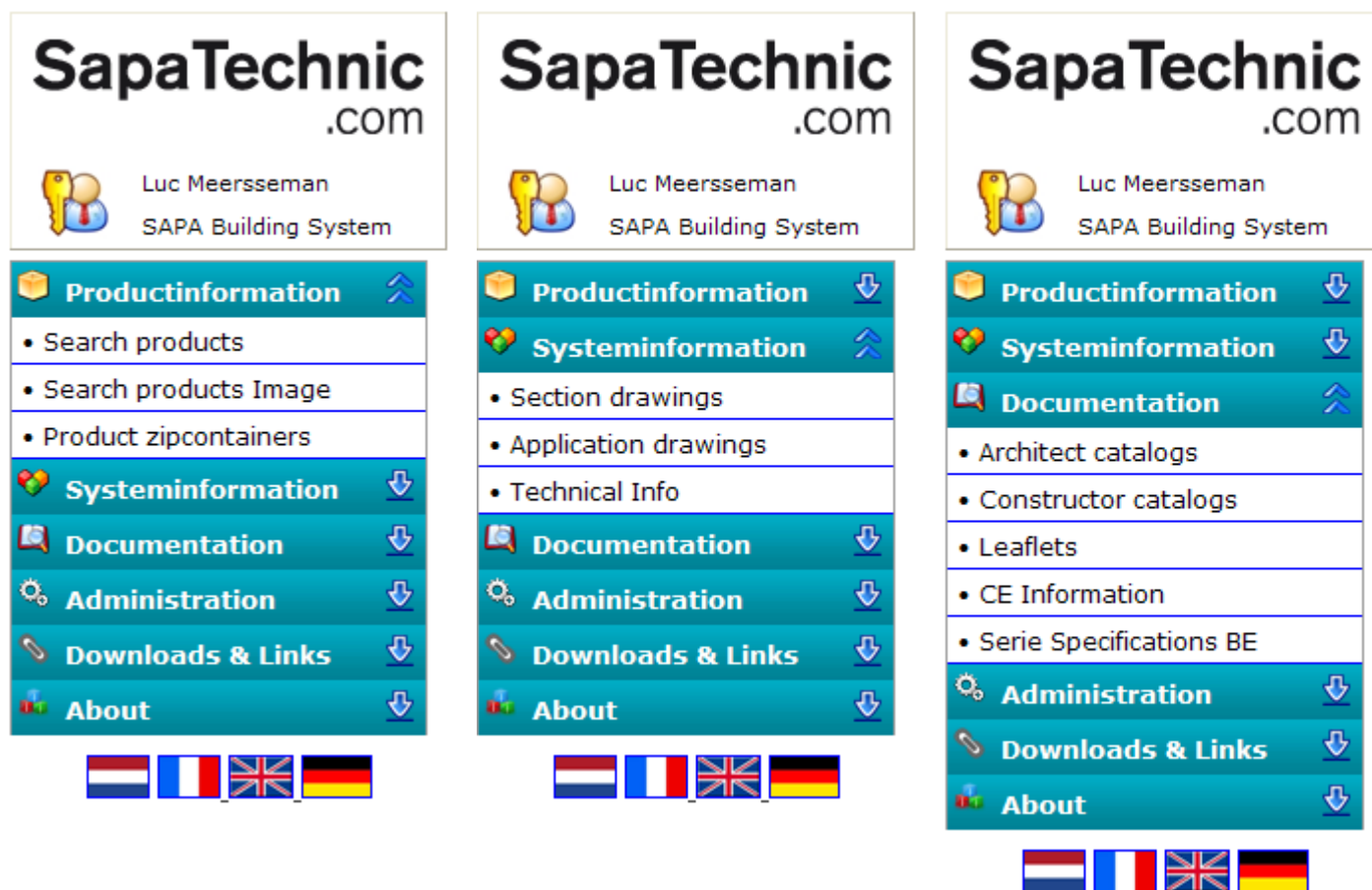
- Your email address that you used to register on SapaTechnic
- The password you chose when registering
- You can chose to save your login on the computer so you don't have to input them the next time.
- Click here to proceed the login
- Forgot your password? You can request you login to be mailed to you by this link.
- New users can register themselves by this link.

SapaTechnic is available in 4 languages, you can select them by selecting the right flag.



When you have problems with the login, you can call or mail the person who is mentioned on the bottom of the loginscreen.

2. The Searchpanel



The searchpanel now makes use of the accordion effect. This means that only one searchoption is open at one time and the other will close. This makes sure that only the active searchoptions for that group is visible. It also compacts the menu.

We also worked to consolidate the different searchoptions into single searchoptions. This makes the searchpanel compact and more direct.

The searchpanel is build around 3 main searchgroups.

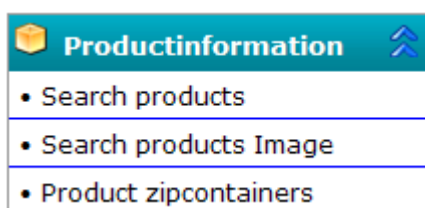
Productinformation contains all information about our products. This is on an article level, the basic elements that are used to build-up our series. (profiles, cleats, accessories, ...)

Systeminformation contains all information about our series. Here you can find sections, application drawings and technical infos.

Documentation contains all documentation about our series.

2.1 Productinformation

Productinformation contains all information about our products. This is on article level. The basic elements to build-up our series. (Profiles, cleats, accessories, ...)



With “**Search products**” you get this searchpanel.



Here you can search with the productnumber (or part of it), request all articles for an certain serie. Both options can be combined. The results are displayed in a table below the searchpanel.

Show entries Search:

Product	Status	Document	Revision	Description	Creationdate	Replaced by	Details
A7K001	+	A7K001_S	D	Frame	27/05/2008		
A7K002	+	A7K002_S	D	Frame	27/05/2008		
A7K003	+	A7K003_S	B	Frame	27/05/2008		
A7K004	+	A7K004_S	B	Frame	27/05/2008		
A7K007	+	A7K007_S	B	Frame	27/05/2008		
A7K011	+	A7K011_S	A	Frame	10/12/2008		
A7K018	+	A7K018_S	A	Frame	28/09/2009		
A7K021	+	A7K021_S	B	Changing profile	27/05/2008		
A7K022	+	A7K022_S	A	Frame	10/12/2008		
A7K025	+	A7K025_S	A	Frame	10/12/2008		
A7K031	+	A7K031_S	B	Frame multi-use	27/05/2008		
A7K032	+	A7K032_S	B	Frame multi-use	29/05/2008		
A7K033	+	A7K033_S	A	Frame	10/12/2008		

★ = Project or Customer Item

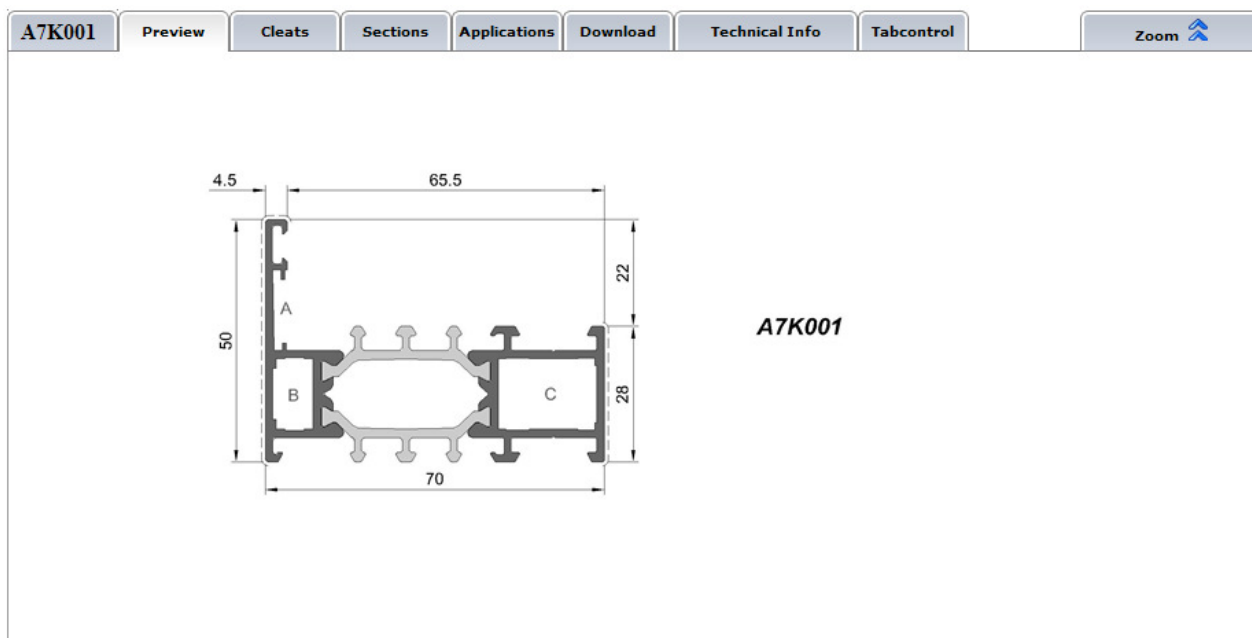
Showing 1 to 13 of 35 entries First Previous **1** 2 3 Next Last

This table-system is used in as the standard way of displaying the results. You can browse the results with the navigation buttons on the bottom-right of the table. (in this example there are 3 pages to navigate)

With the field “search” you can filter a word or value in the complete table on all columns and rows.

To see more specs about a product you can request more details by clicking on .

The details of a product are shown in the lower part of the screen in a list of “tabs”. This makes it possible to show a lot of information with one searchaction.



Depending of the product requested, different tabs are available.

For profiles you get these options:

- A preview of the article
- An overview of the cleats that can be used in the profile
- The sections that are using the profile
- Application drawing using that profile (only for general profiles)
- You can download the document in DXF (gezip)
- Technical Info verzamelt hoekinformatie, afbeelding en sterkteberekening in een afdrukbaar formaat.
- With tabcontrol you can control which tabs are visible

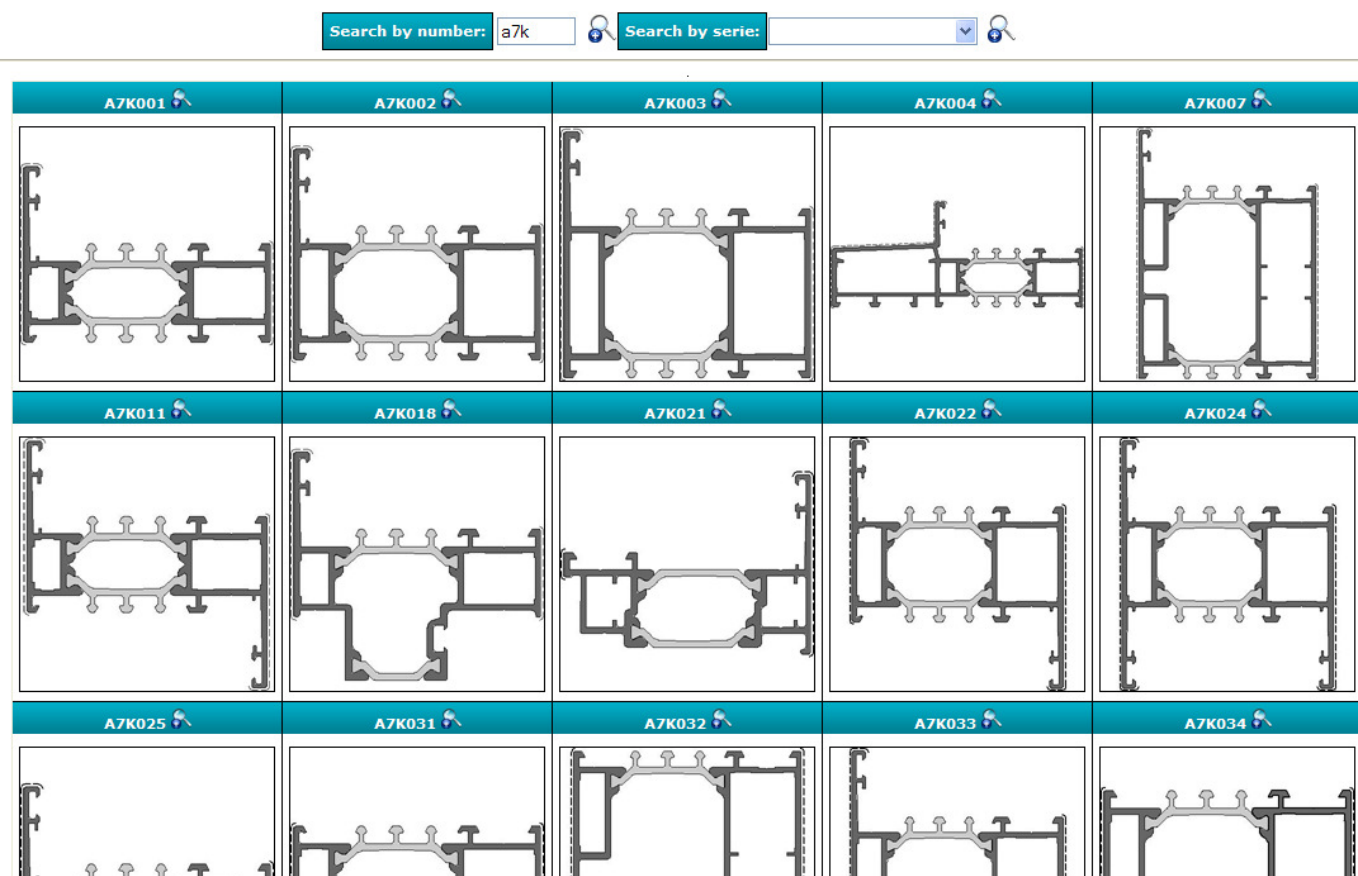
When some information is not yet available online (ex. The preview of a profile or the DXF), this information is generated automatically.

You get this spinning icon:  The information will be available in a few minutes.

Search Products image makes it possible to visible brows the products.

You can use the productnumber or the serie to get the list.

Ex. All profiles starting with A7K:

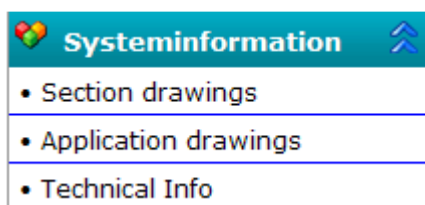


To find out the details of a product, just click the magnify-icon to go to the details.

Product Zipcontainers contains all profile-drawings in DXF of a certain serie. These containers are created and updated daily with the latest versions of the profiles. You can download these to use as a start for a local library.

2.2 Systeminformation

Systeminformation contains all information that is relevant to our series. Where product information only focus on the individual products, can you find here the information that is related to the complete series.



Section drawings makes it possible to consult the individual sections. This can be done with the number found in the catalog, an overview of all sections available for a series or sections that use a certain product.

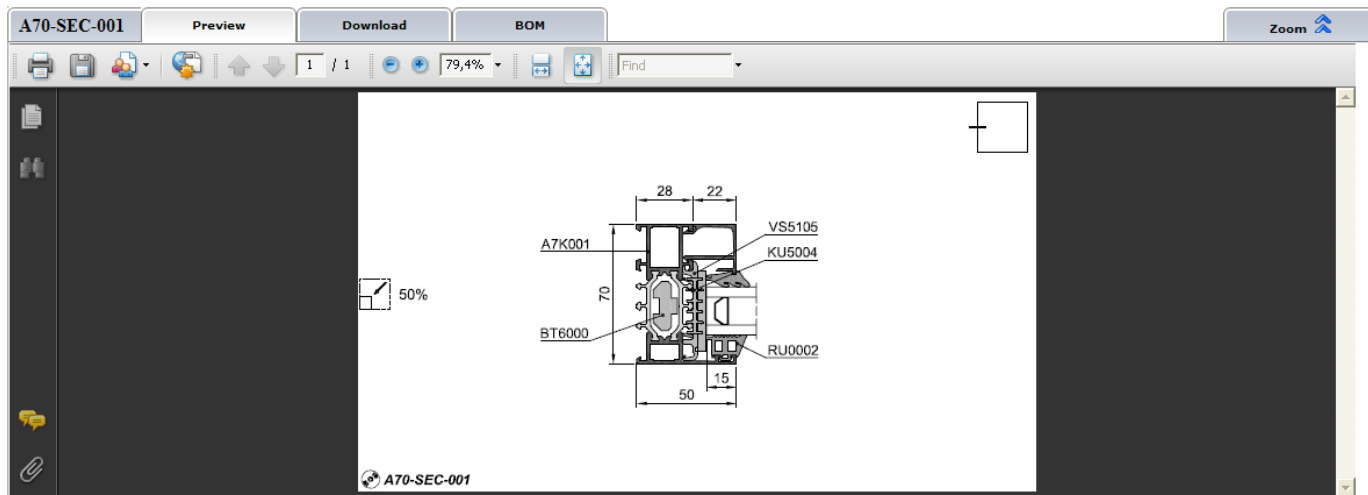
The results are shown in a table with a short description and pictogram of the type of section. There is also an overview of the profiles used in the section.

Show entries Search:

Section	Type	Description	Details
A70-SEC-001		fixed frame left A7K001_GC0325_HOR	
A70-SEC-004		fixed frame left A7T001_GC0325_HOR	
A70-SEC-005		fixed frame with vertical transom A7T001_2xGC0325_HOR	
A70-SEC-006		fixed frame with vertical transom A7T013_2xGC0325_HOR	
A70-SEC-007		tilt-turn window left A7K001_A7V024_GC0335_HOR	

Showing 1 to 5 of 85 entries

With the magnify-glass you can request more details about a certain section.



You will get a preview in PDF of the section, the possibility to download the section in DXF and an overview (BOM) of the products used to build this section.

Applicationdrawings uses the same principle as the sections but shows you the application of an certain product in a serie. In this example the use of a finishing profile.

This will give you this result:

Show entries Search:

Serie	Document	Description	Details
A55 Avantis 55	A55-APP-Z9D900	Z9D900	
A60 Avantis 60	A60-APP-Z9D900	Z9D900	
A70 Avantis 70	A70-APP-Z9D900	Z9D900	
A75 Avantis 75	A75-APP-Z9D900	Z9D900	
C125 Confort 125	C125-APP-Z9D900	Z9D900	
E65 Excellence 65	E65-APP-Z9D900	Z9D900	

Showing 1 to 6 of 6 entries

There is an applicationdrawing available for the profile Z9D900 in the series A55, A60, ...

The details for this applicationdrawing can be requested by clicking on the magnify-glass. The details are shown in the same way as the sections.

Technical infos gives access to the technical updates for the series.

When there is a new product available, there is an error in the catalog, these updates are shown with the use of an Info. This info can be added to your catalog.

The info can be requested by the number (only for internal use) or by serie or year of release. The serie and year can be combined.

Ex. All technical infos for Avantis 70 for 2010:

Show entries Search:

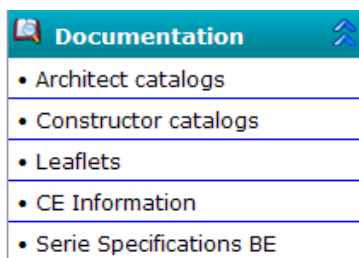
Number	Revision	Description	Serie	PDF
INFO-2010-058	A	Coupling profiles	A70	
INFO-2010-051	A	A7V004 replaced by A7V104 - A7V005 replaced by A7V105	A70	
INFO-2010-044	A	New transom A7T008	A70	

Showing 1 to 3 of 3 entries

The results are shown in a table and the PDF is available by clicking on the PDF-icon.

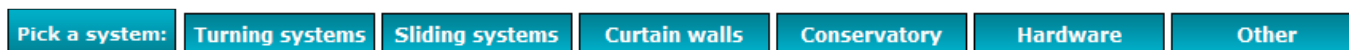
2.3 Documentation

In documentation you can find all relevant documentation for our series.



Here we can find catalogs, leaflets and CE-Information

Catalogs and Leaflets are divided into our ranges. These are the turningsystems, slidingsystems, curtain walls, conservatorie, hardware and others.



Only the series that are valid for your market are visible, this to make the overview more comprehensive.

Show entries Search:

Type	Serie	Code	Releasedate	Language	PDF	ZIP
Turning Systems	Avantis 55	KA55BF-05	07/2008			
Turning Systems	Avantis 55	KA55BN-05	07/2008			
Turning Systems	Avantis 60	KA60BF-06	09/2008			
Turning Systems	Avantis 60	KA60BN-06	09/2008			
Turning Systems	Avantis 70	KA70BF-02	03/2010			
Turning Systems	Avantis 70	KA70BN-02	03/2010			
Turning Systems	Avantis 75	KA75BF-02	03/2010			
Turning Systems	Avantis 75	KA75BN-02	03/2010			
Turning Systems	Excellence 65	KE65BF-05	10/2009			
Turning Systems	Excellence 65	KE65BN-05	10/2009			
Turning Systems	Excellence 75 SI	KE75BE-04	07/2006			

Showing 1 to 11 of 11 entries First Previous **1** Next Last

The catalogs can be viewed directly in PDF or downloaded in ZIP. Depending on the speed of your dataline, it is sometimes not possible to view the PDF directly in the browser. Than it's better to download the catalog in ZIP and view it locally.

CE-Information is only available after accepting the general directives.

After accepting you can continue to the CE-Information.

